

CReel

Model: 2.0 CM

Cable Management System

Included parts

	Q.ty
CReel 2.0	1
CReel 2.0 wall bracket	1
Long bolt with nut	1
Short bolt with nut	1
Safety locker with keys	1
Wall standard plugs and screws	4
Washers	4
Wall connector holder	1
Wall plugs and screws	4
Drilling templates	2

Necessary tools (not included)

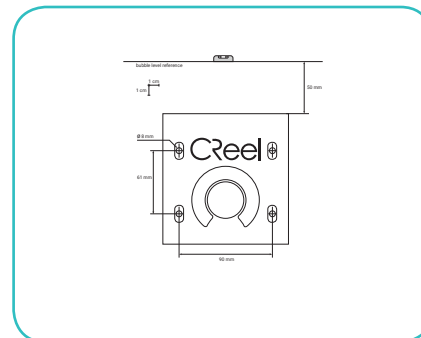
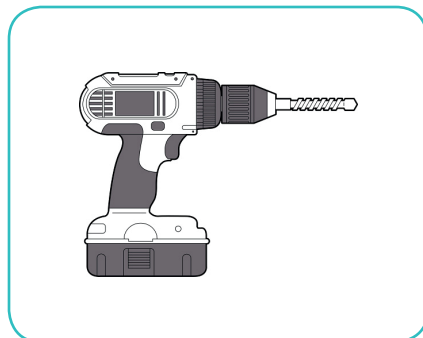
Drill
Drill bits (10mm and 6mm)
Wrench

Download full manual

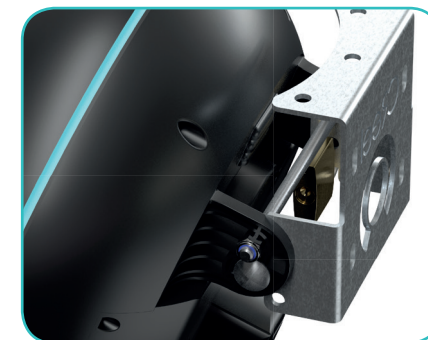


Quick Start guide

- 1** Choose the right place to install CReel 2.0 taking into account the length of the connector cable to the wallbox (preferably in the absence of rain and direct sun). Use included template (or print out from downloaded manual) to drill 4 hole for CReel 2.0 wall bracket. Recommend installation at a height of 170 cm above the ground. Attach the CReel 2.0 bracket with the 4 dowels provided (if appropriate for your wall or use ones appropriate for your wall material)



- 2** Hang the CReel 2.0 on its bracket with the long bolt. Secure the installation with the short bolt in one hole and the padlock in the other one.

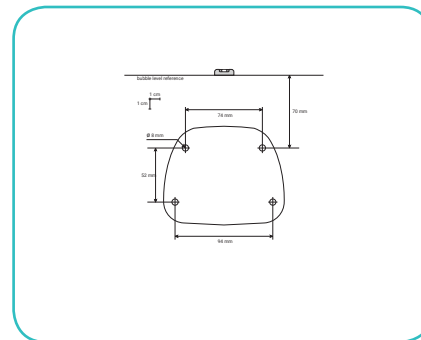
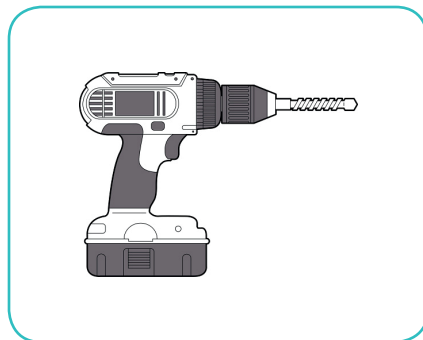


Creel

Model: 2.0 CM
Cable Management System



- 3** Use included template (or print out from downloaded manual) to drill 4 hole for the wall connector holder. Install it at a height convenient for use. Attach the holder with the 4 dowels provided (if appropriate for your wall or use ones appropriate for your wall material).



- 4** Attach the fixed cable plug to your wallbox.



- 5** To change the length of cable available outside the reel, loose the two stopper screws, pull in or out the cable and tighten the screw.

